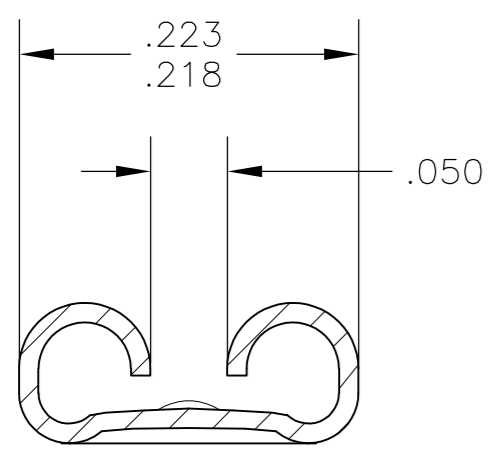
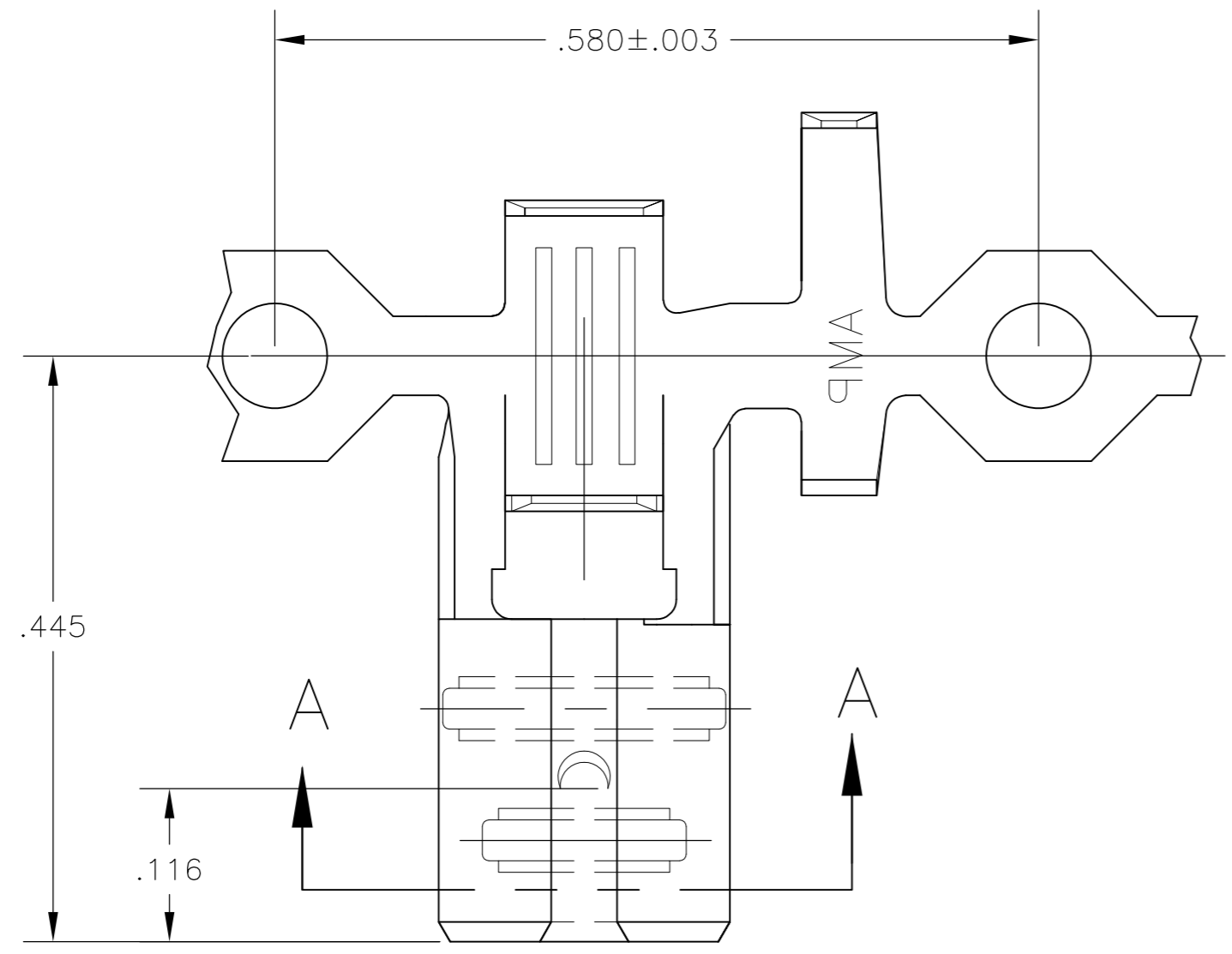


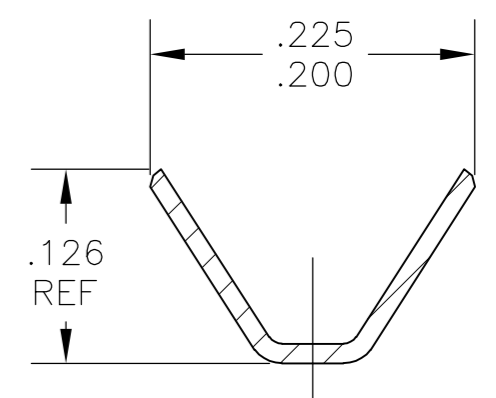
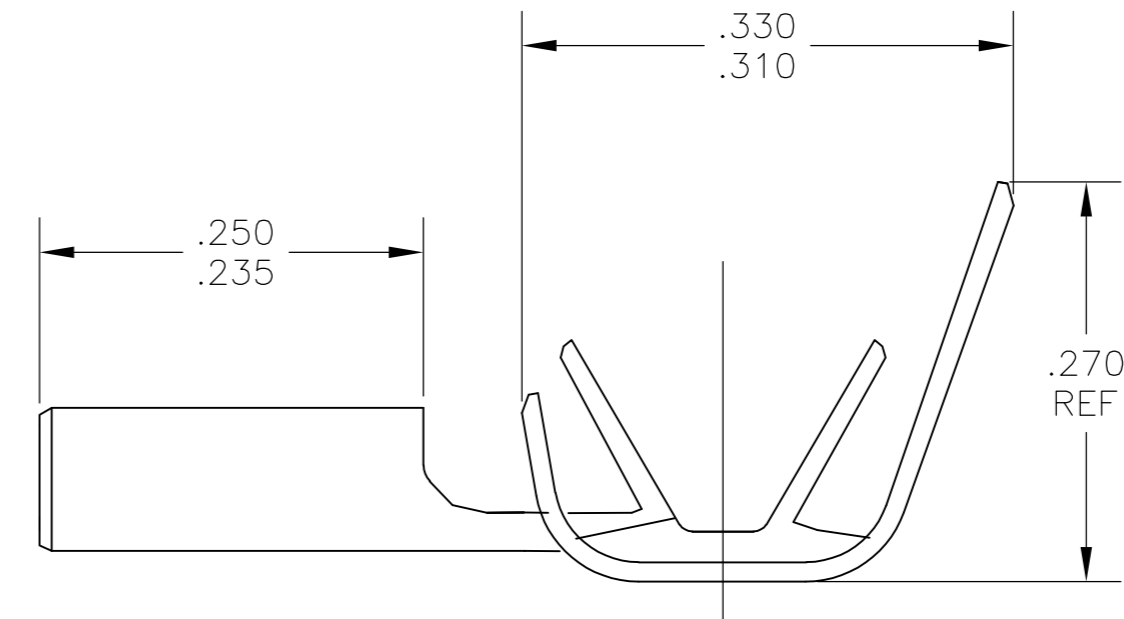
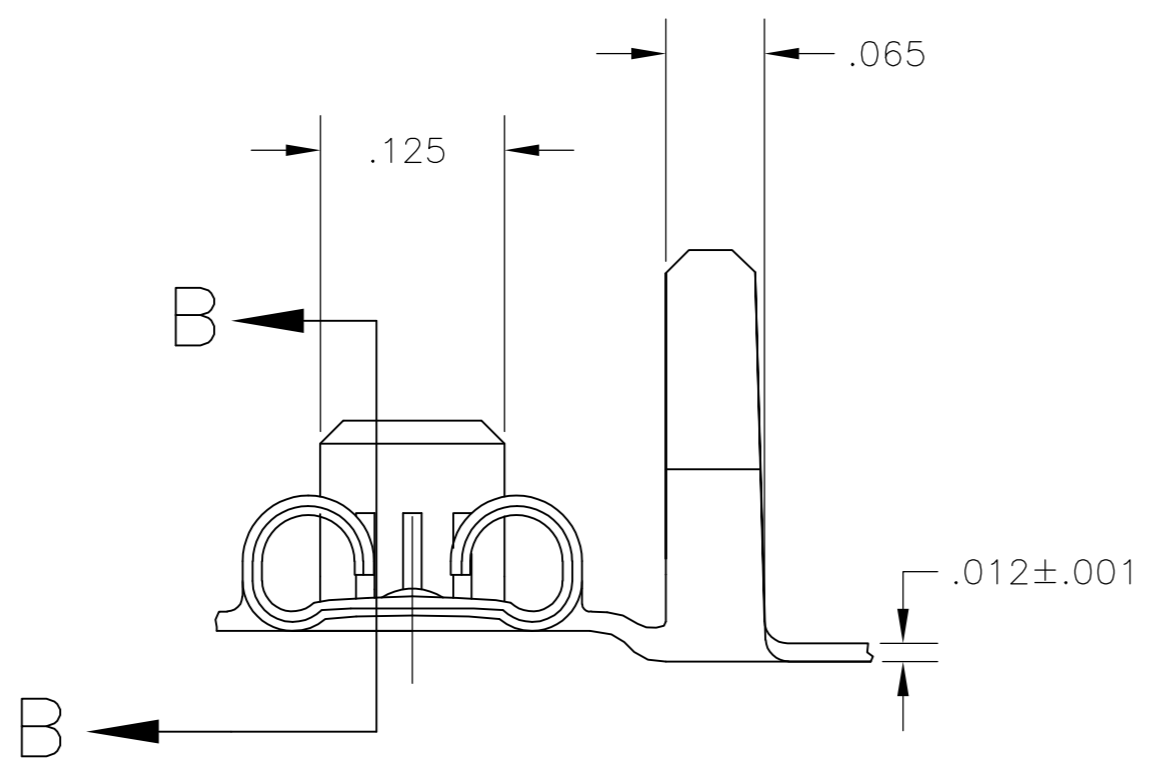
THIS DRAWING IS UNPUBLISHED. RELEASED FOR PUBLICATION  
 © COPYRIGHT BY TYCO ELECTRONICS CORPORATION. ALL RIGHTS RESERVED.

LOC	DIST	REVISIONS			
P	LTR	DESCRIPTION	DATE	DWN	APVD
AF	50	H	REVISED PER ECR-08-020253	28AUG08	HMR PD

- 1 CONTINUOUS STRIP ON REELS
- 2 MATING TAB THK IS .032±.001
- 3 WIRE SIZE IS FOR ONE OR TWO #18'S AWG
- 4 INSULATION RANGE IS .110-.150 OR TWO AT .110 MAX.



SECTION A-A



SECTION B-B

1742049-1  
 PART NO

THIS DRAWING IS A CONTROLLED DOCUMENT.		DWN jr ruth 14JAN2004	Tyco Electronics Corporation Harrisburg, PA 17105-3608	
DIMENSIONS: INCHES		CHK P DESANTIS 14JAN04	NAME RECEPTACLE, FASTON, FLAG, .187 SERIES	
TOLERANCES UNLESS OTHERWISE SPECIFIED:		APVD P DESANTIS 14JAN04	SIZE A2	CAGE CODE 00779
0 PLC ± - 1 PLC ± - 2 PLC ± - 3 PLC ± .010 4 PLC ± - ANGLES ± -		PRODUCT SPEC APPLICATION SPEC	DRAWING NO 1742049	RESTRICTED TO -
MATERIAL 082 CR STEEL	FINISH .000150 MIN NICKEL	WEIGHT -	SCALE 8:1	SHEET 1 of 1
CUSTOMER DRAWING			REV H	