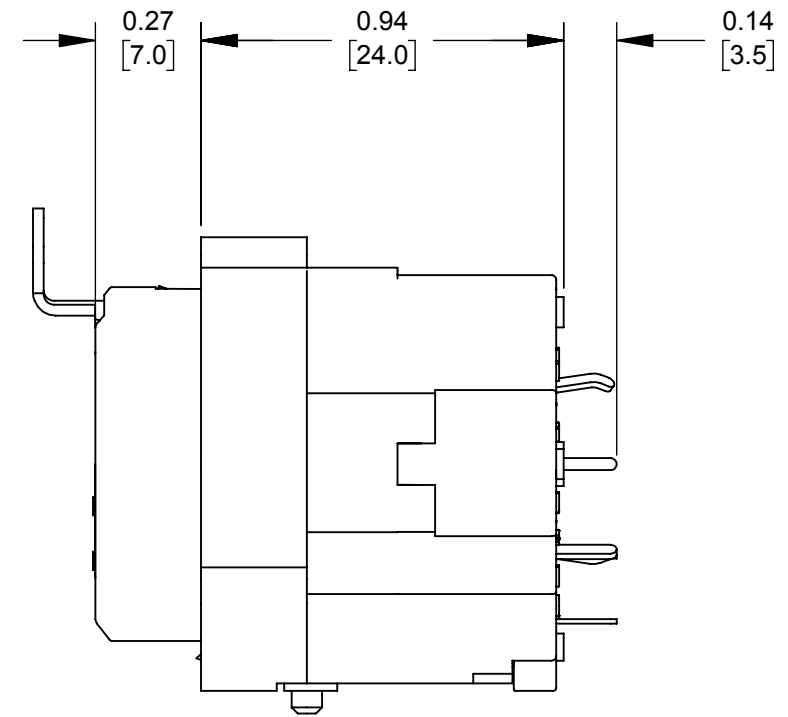
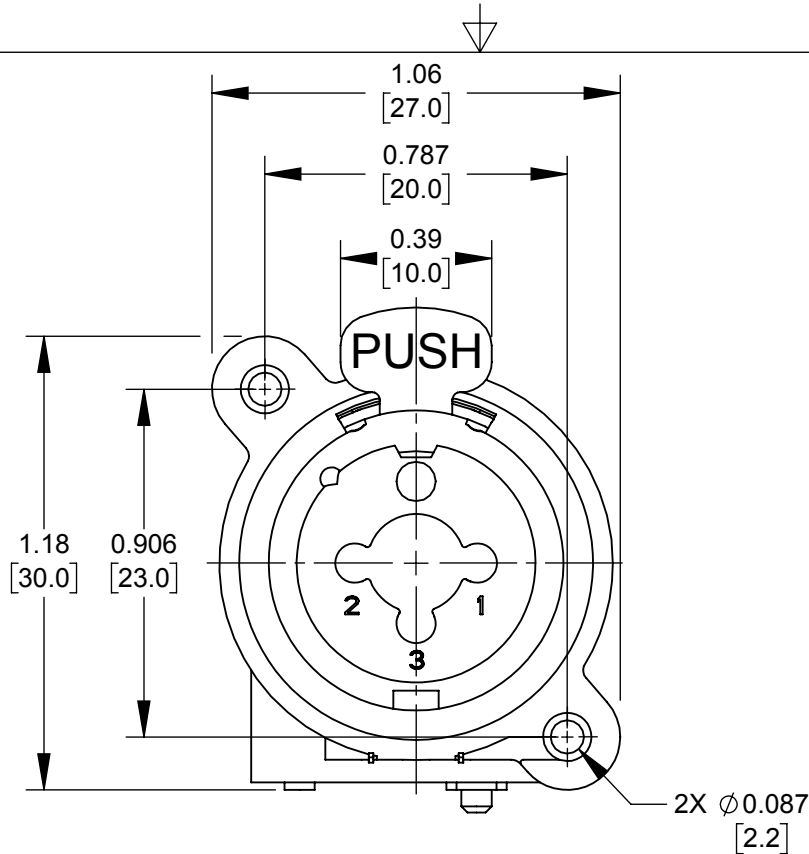
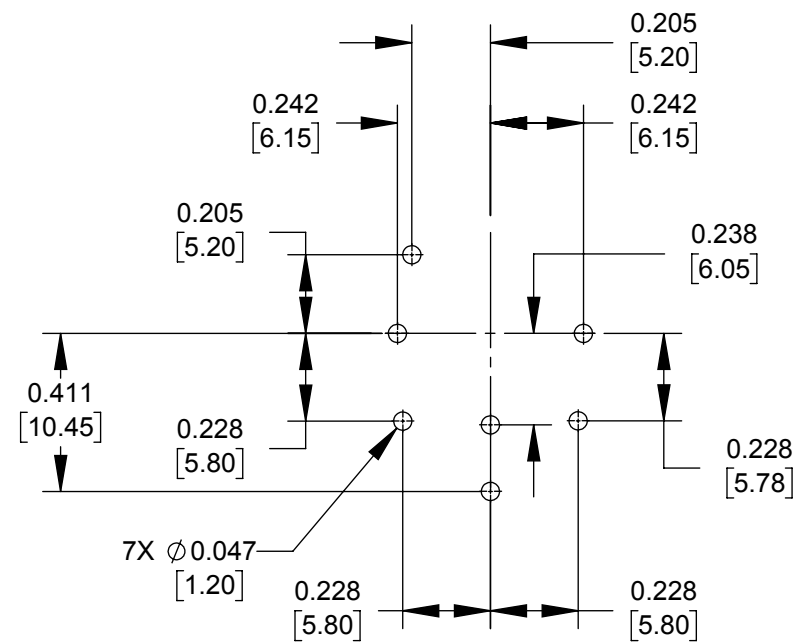


PANEL CUT OUT (FRONT SIDE)

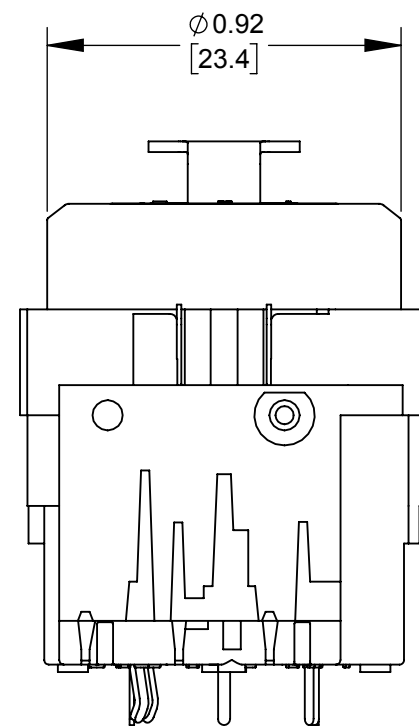


NOTES:

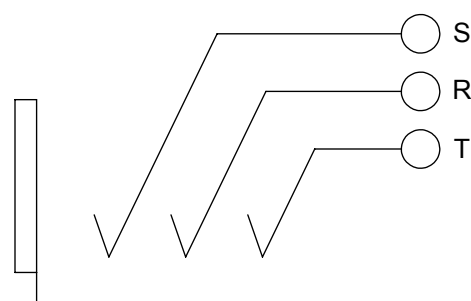
- MATERIALS:  
 HOUSING - BLACK THERMOPLASTIC  
 CONTACTS - COPPER ALLOY GOLD PLATED  
 PUSH BUTTON/SPRING - COPPER ALLOY NICKEL PLATED  
 GROUND SPRING - COPPER ALLOY SILVER PLATED
- OPERATING SPECS:  
 OPERATING/STORAGE TEMP: -30°C TO 80°C  
 RATED VOLTAGE/RATE CURRENT: 50V/7.5A  
 INSULATION RESISTANCE: 1/4 JACK: 100MΩ, XLR: INTIAL 2GΩ,  
 AFTER DAMP HEAT:>0.5GΩ  
 CONTACT RESISTANCE: **1/4 JACK:** 50mΩ,  
**XLR:** 30mΩ  
 DIELECTRIC STRENGTH: **1/4 JACK:** 0.5mA, AC 500V.  
**XLR:** 0.5mA, AC 500V  
 LIFE: **1/4 JACK:** 2,000 CYCLES,  
**XLR:** 1000 CYCLES
- THIS PRODUCT IS RoHS COMPLIANT



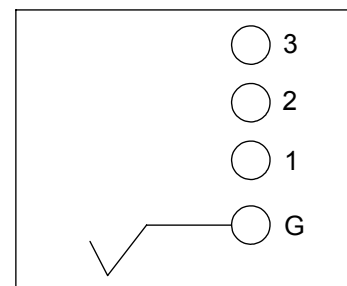
PCB-LAYOUT COMPONENT SIDE



JACK SCHEMATIC



XLR SCHEMATIC



REV	ECO NUMBER	DATE	BY	APVD
A	27996	2/8/18	TJK	TJK

REVISIONS

UNLESS OTHERWISE SPECIFIED				
1. ALL DIMENSIONS IN INCHES [mm]				
- TWO PLACE DECIMALS ±0.02 [0.5]				
- THREE PLACE DECIMALS ±0.005 [0.13]				

DO NOT SCALE DRAWING

THIS DRAWING DESCRIBES A DESIGN CONSIDERED PROPRIETARY IN NATURE, DEVELOPED AND MANUFACTURED BY SWITCHCRAFT INC. AND IS RELEASED ON A CONFIDENTIAL BASIS FOR IDENTIFICATION PURPOSES ONLY.										
SIZE	WIDTH	MULT	LBS/M	TEMPER						
FINISH					MATERIAL					
SPEC No.					SPEC No.					
FIRST USED ON					SCALE					
					2:1					
DATE DRAWN	BY	CHKD	APVD							
1/8/17	AB	AB	TJK							
			1/8/17	2/16/18						
NAME 1/4" PLUG AND 3 PIN XLR, COMBO JACK, STRAIGHT PC, RoHS								PART No.		REV
								PXCST		A

CUSTOMER DRAWING